

MOUNTING INSTRUCTIONS / TEMPLATE

THE DRYER MUST BE PROPERLY EARTHED.
FOR FIXED INSTALLATION, CONNECT VIA CIRCUIT BREAKER.



1 Attach this mounting instruction sheet / template to the wall with tape. Recommended installation height is 115 cm from the floor to holes C and D. Do not mount directly above sink or the like.

2 Drill 4 holes (A, B, C, D - 8 mm diameter, 35 mm deep).

3 Remove the mounting instruction sheet from the wall. Hammer the dowels supplied into the four holes.

174 mm

4 Remove the housing from the base plate. Pull the power cord at least 7 cm through the hole in the base plate. Secure the base plate to the wall.

5 Place the power cord in the relief clamp and connect wires to the terminal block. **IMPORTANT:** Do not lift the dryer by the electrical parts.

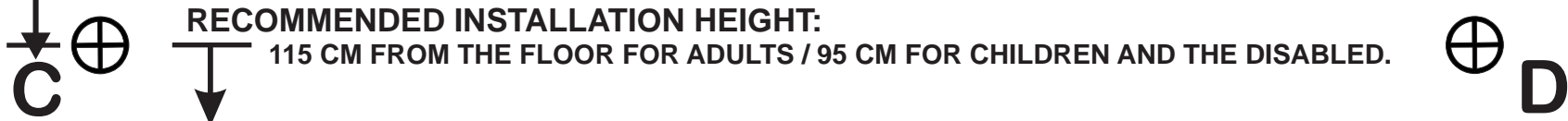
6 Remount the housing onto the base plate and secure the housing properly. Test run the dryer.



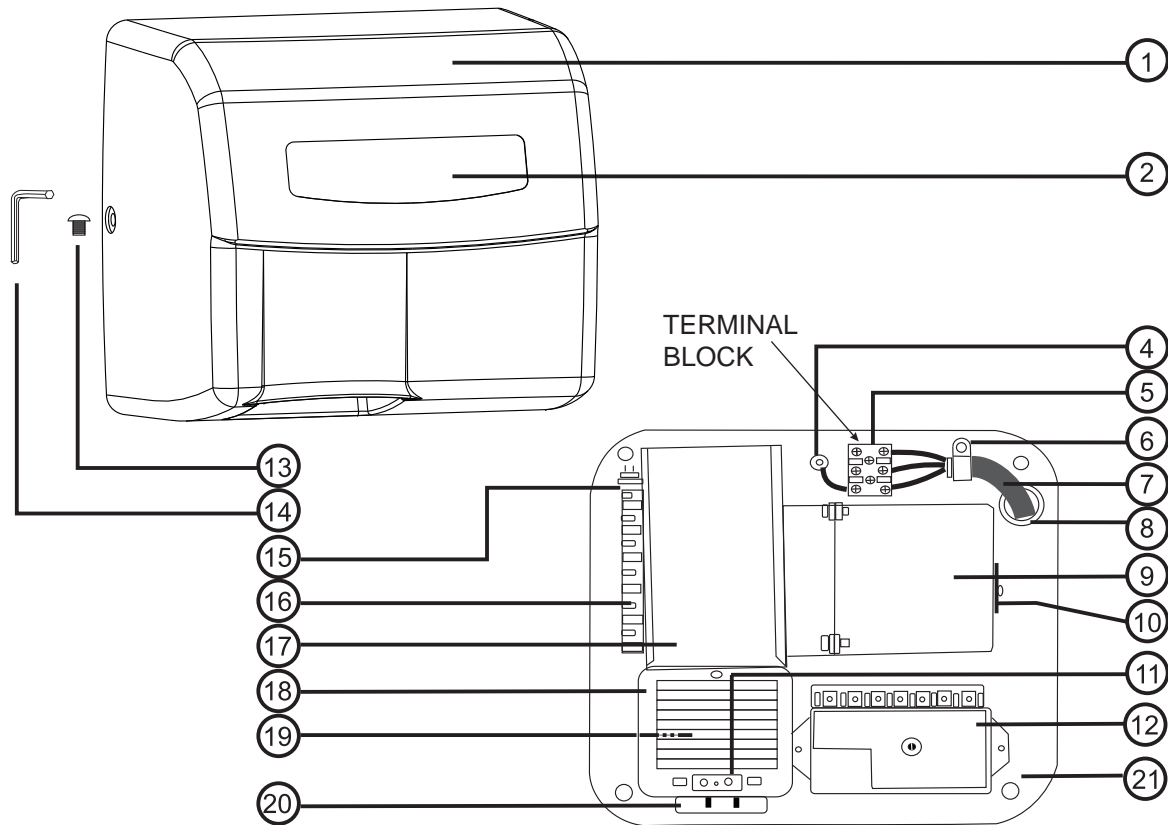
DAN DRYER
DK-8940 RANDERS SV - DENMARK
Tel.: +45 86 41 57 11 - www.dandryer.com

IMPORTANT! This product is covered by the WEEE regulations on the recycling and recovery of waste electrical and electronic equipment.

- This products is not to be treated as household refuse.
- This product must be recycled if possible.
- Contact local authorities for advice.
- The product may also be returned to the manufacturer/distributor free of charge. The manufacturer/distributor will ensure proper recycling/disposal.



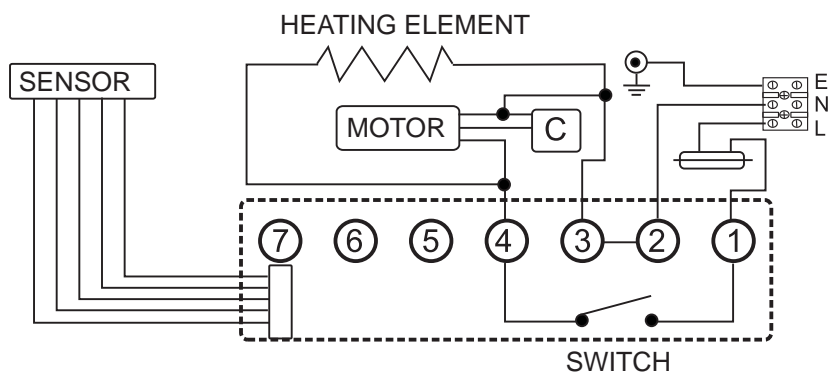
CONSTRUCTION CHART



SPARE PARTS LIST - DAN DRYER MINI

No.	Description	Material	Qty.
1	Housing	Painted alu	1
2	Name plate	Aluminium	1
3	---	---	-
4	Washer	Copper	1
5	Terminal block	Plastic	1
6	Tensile relief clamp	Plastic	1
7	Power cord	---	-
8	Bushing	Plastic	1
9	Motor	---	1 set
10	Motor suspension	Plated steel	1
11	Sensor	---	1 set
12	Timer	---	1 set
13	Housing screws	Stainless steel	2
14	Allen key	Plated steel	1
15	Thermostat	---	1
16	Heating element	---	1 set
17	Fan scroll	Plated steel	1
18	Air outlet grille	Painted steel	1
19	Fan	Plated steel	1
20	Capacitor	---	1
21	Base plate	Plated steel	1

WIRING CHART



ACCESSORIES

NAME	QTY
DOWEL	4
ALLEN KEY	1

INSTALLATION INSTRUCTIONS

1. Secure the base plate to the wall.
2. Place the power cord in the tensile relief clamp.
3. Connect the power cord wires to the terminal block.

